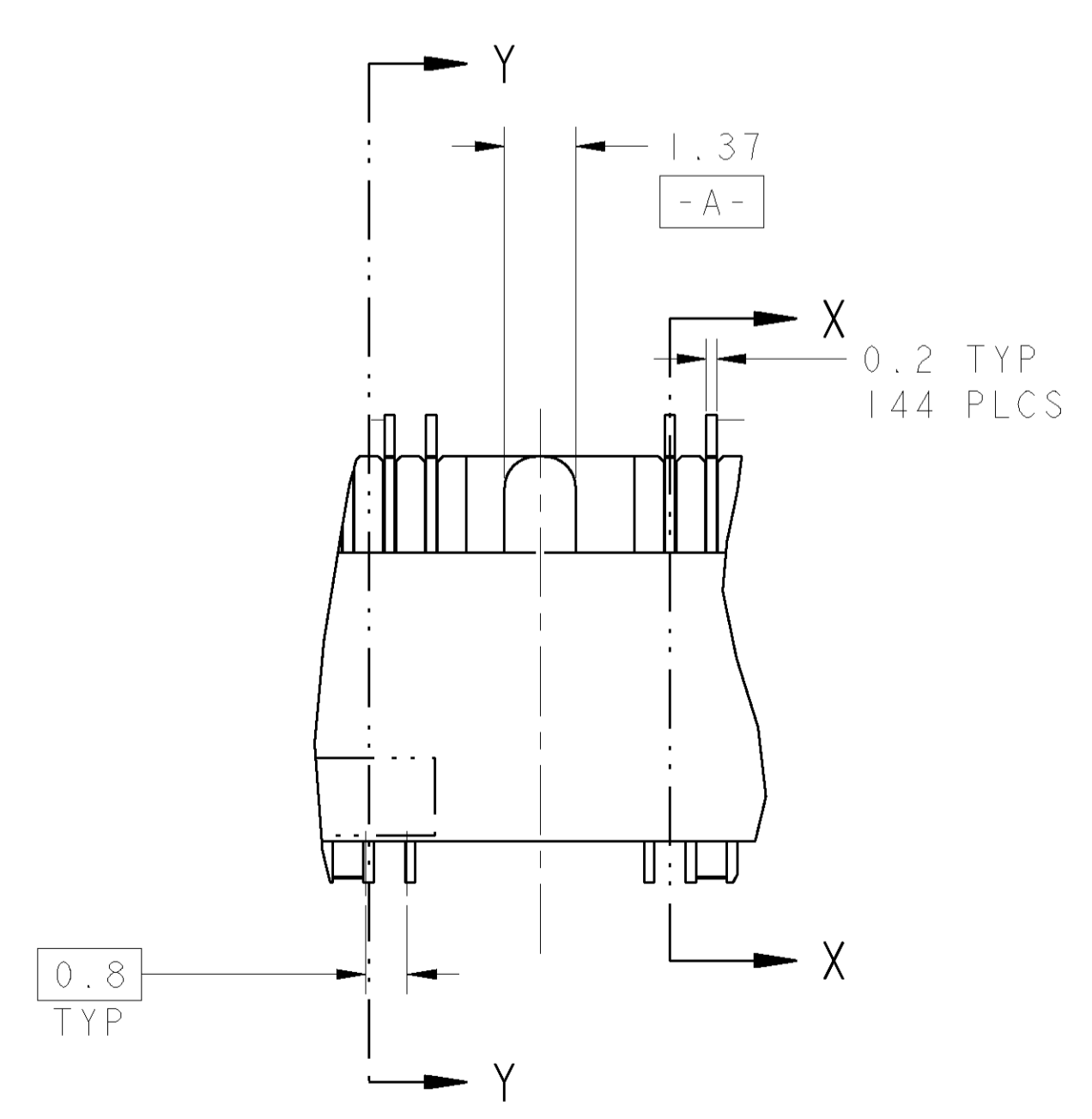
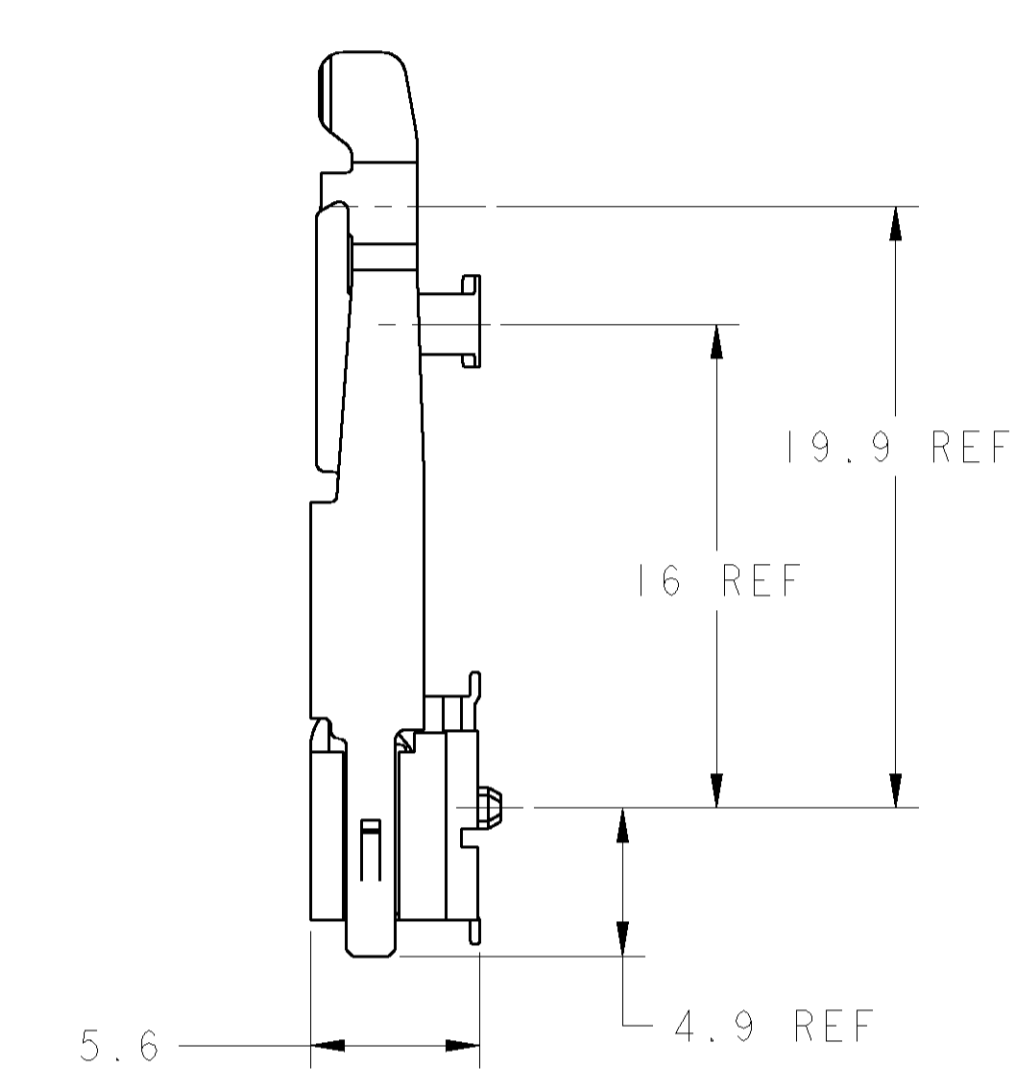
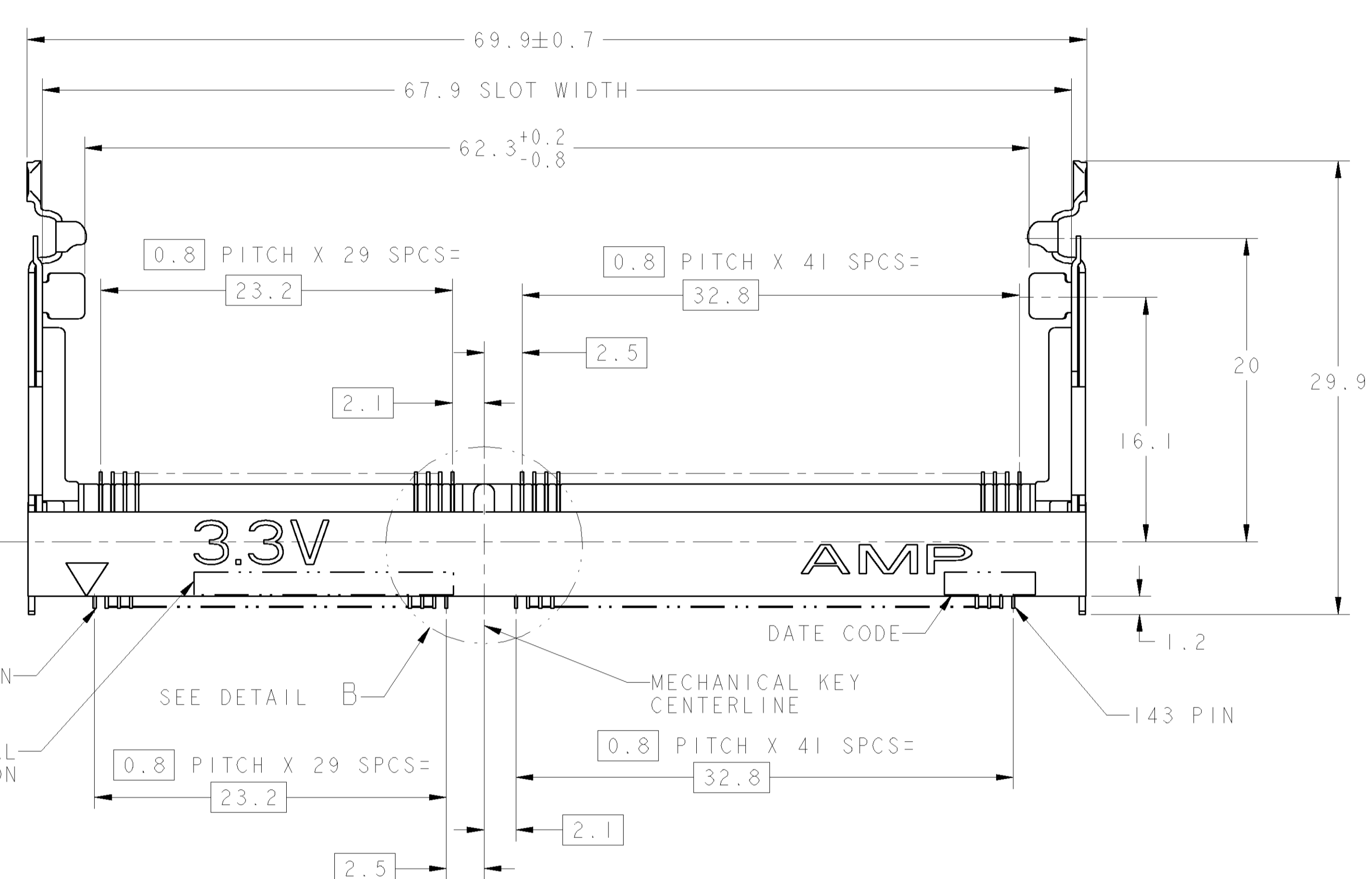
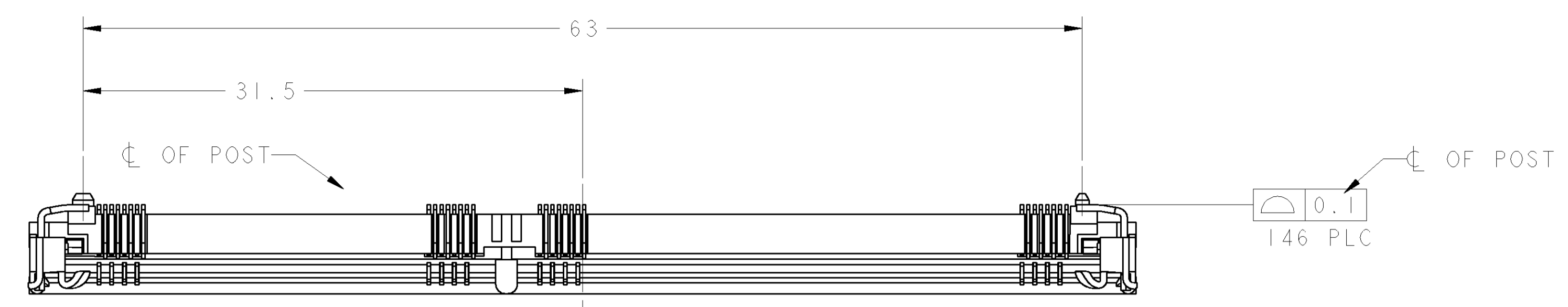
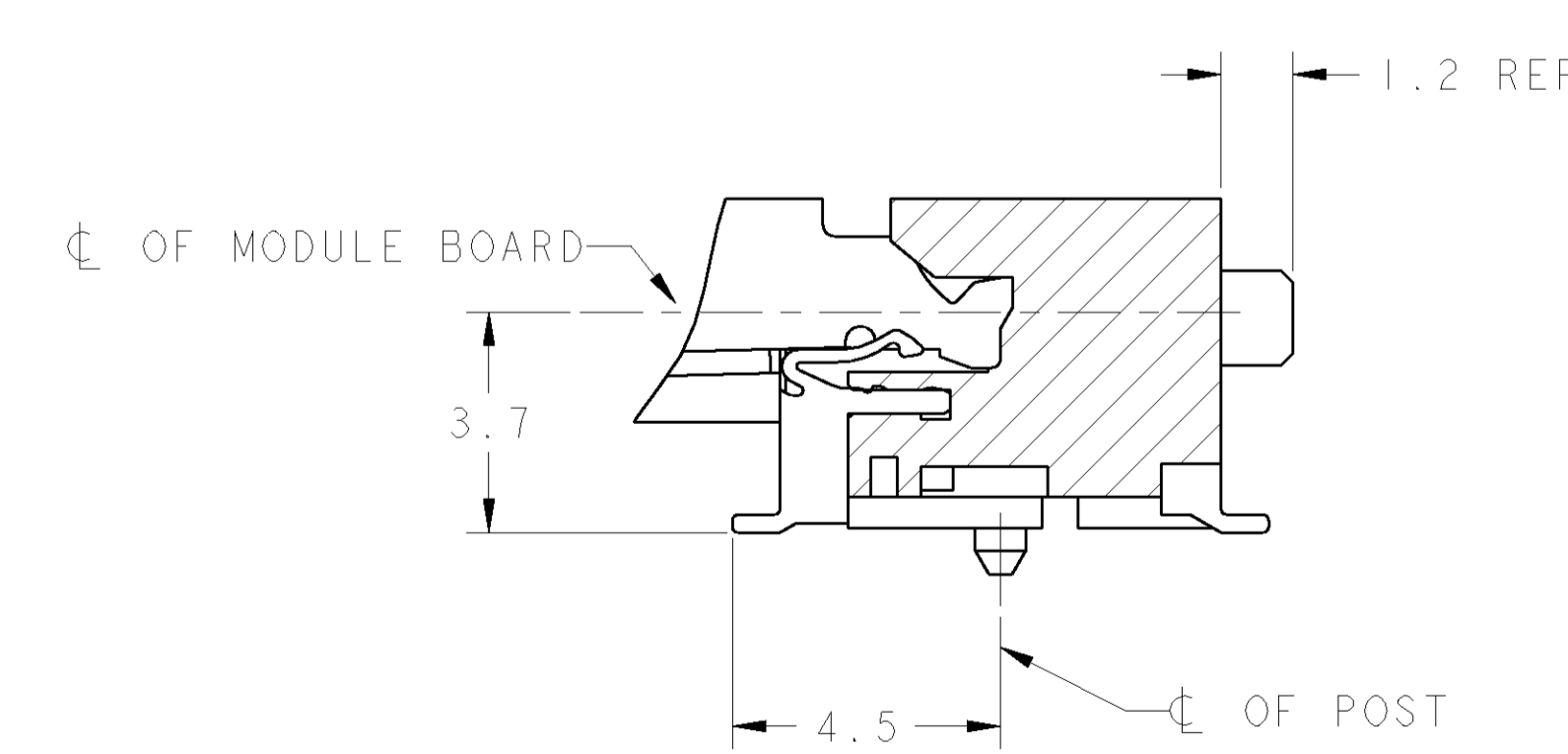


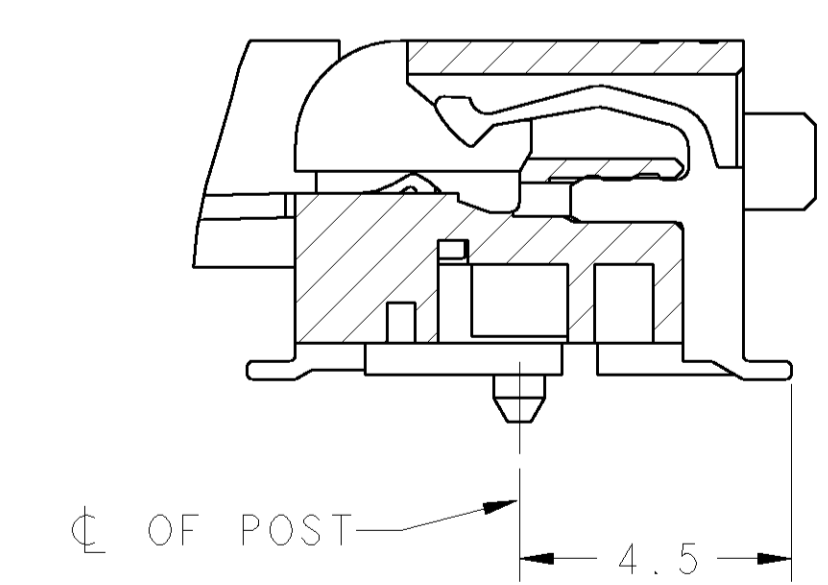
LOC	DIST	REVISIONS			
F	LTR	DESCRIPTION	DATE	DNM	APRD
P		REVISED ECR-05-006241	06JUL05	SYJ	LSF



DETAIL B
SCALE 8:1



SECTION X-X
ROTATED 90° CCW
SCALE 8:1



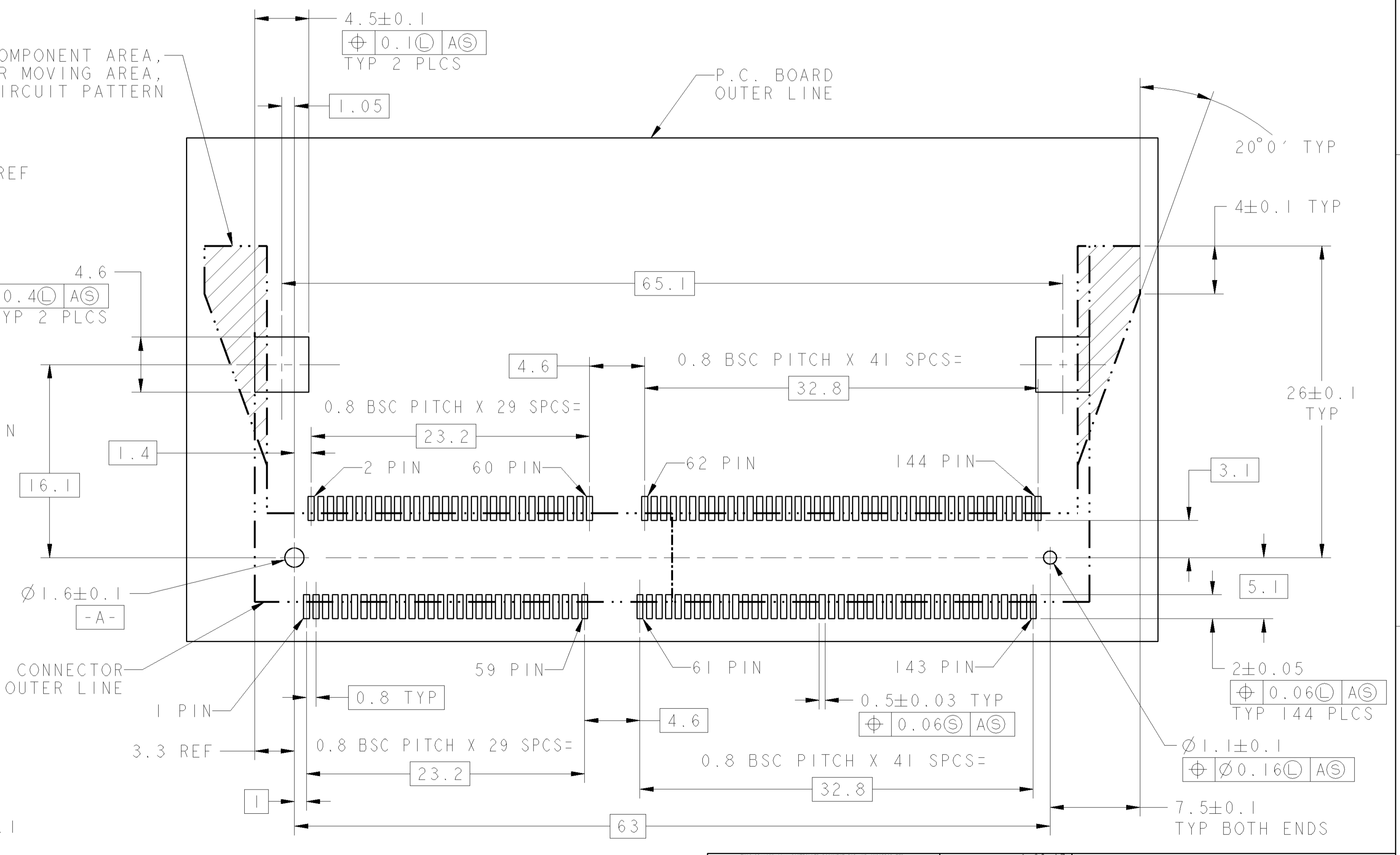
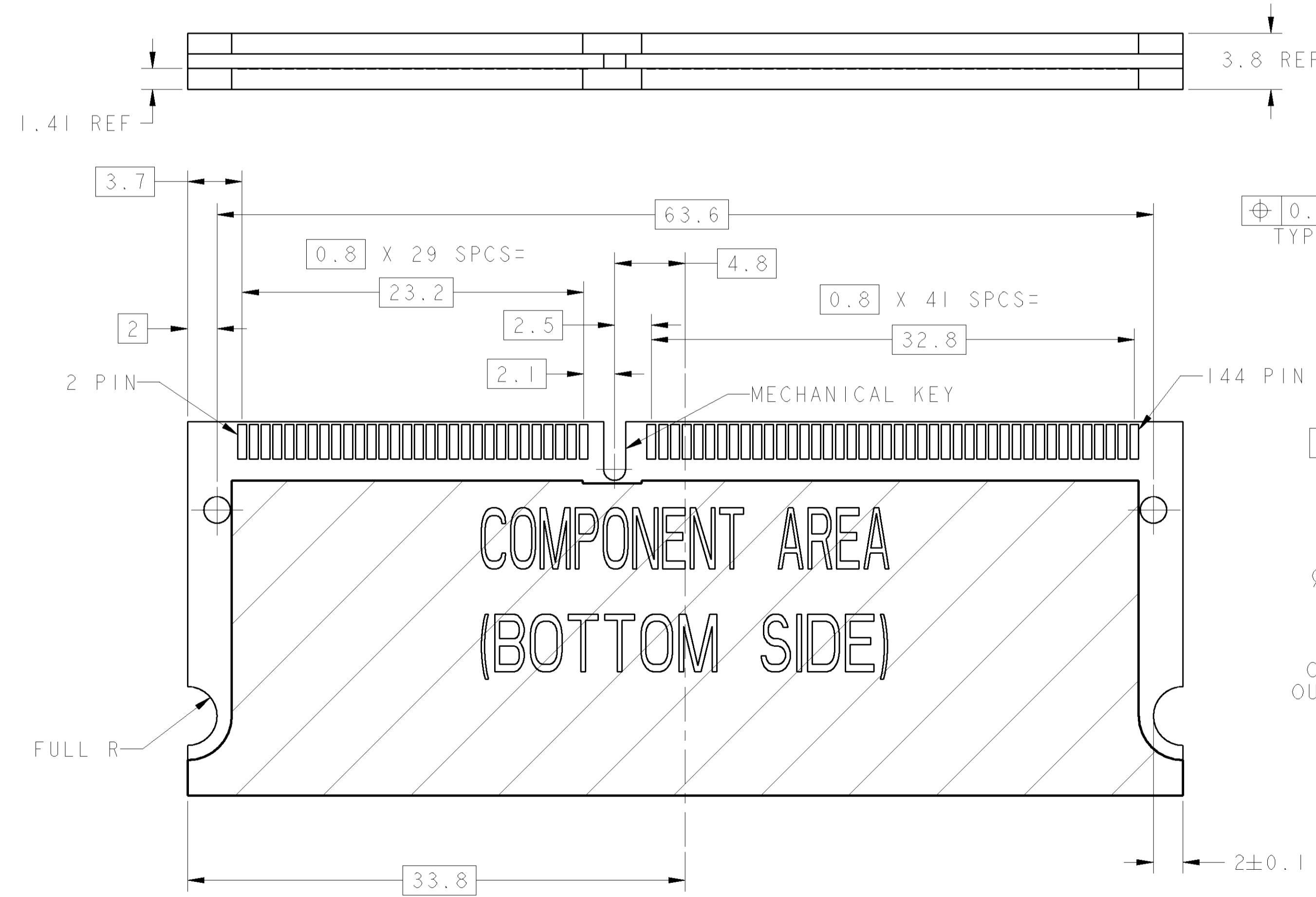
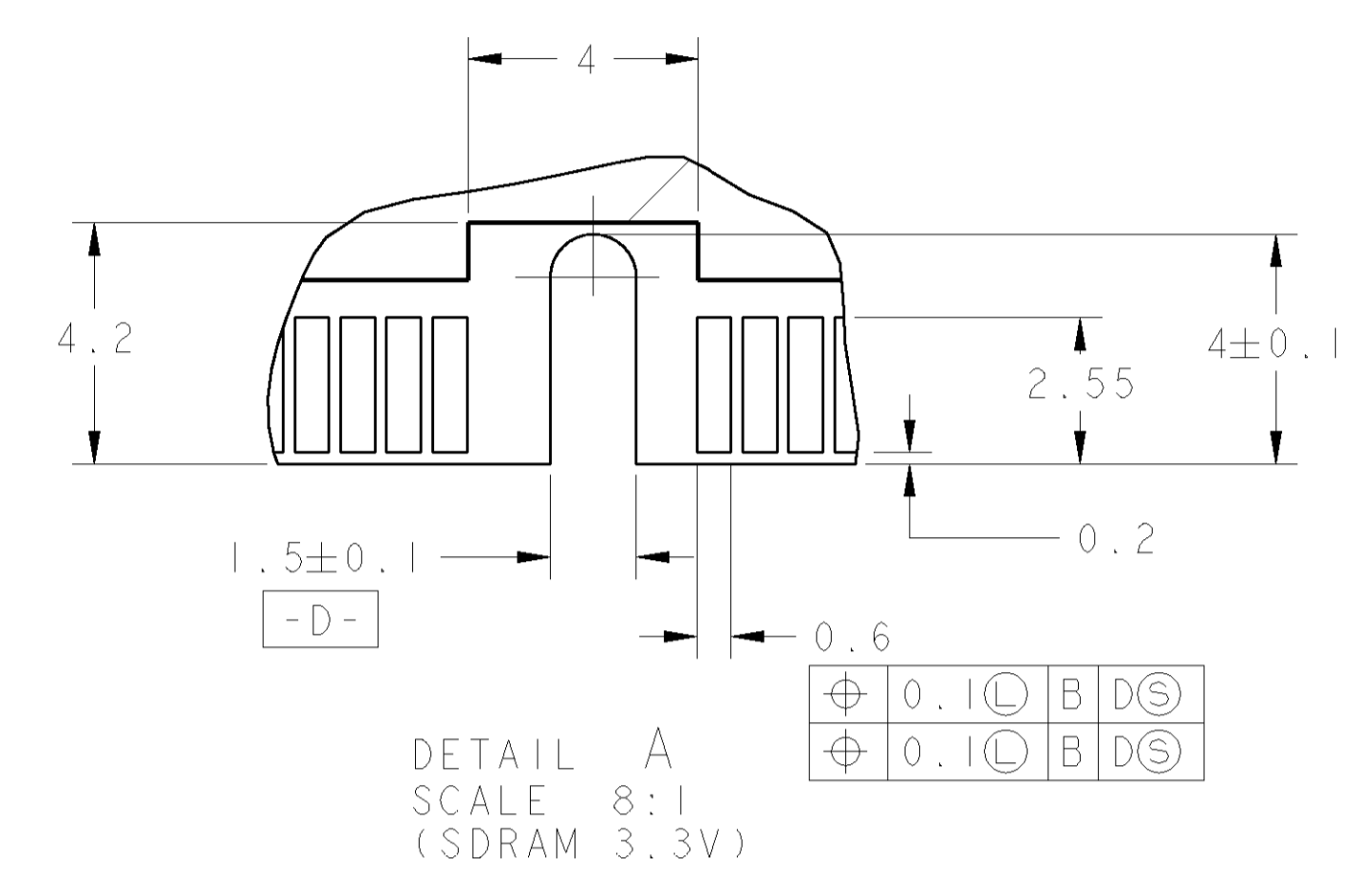
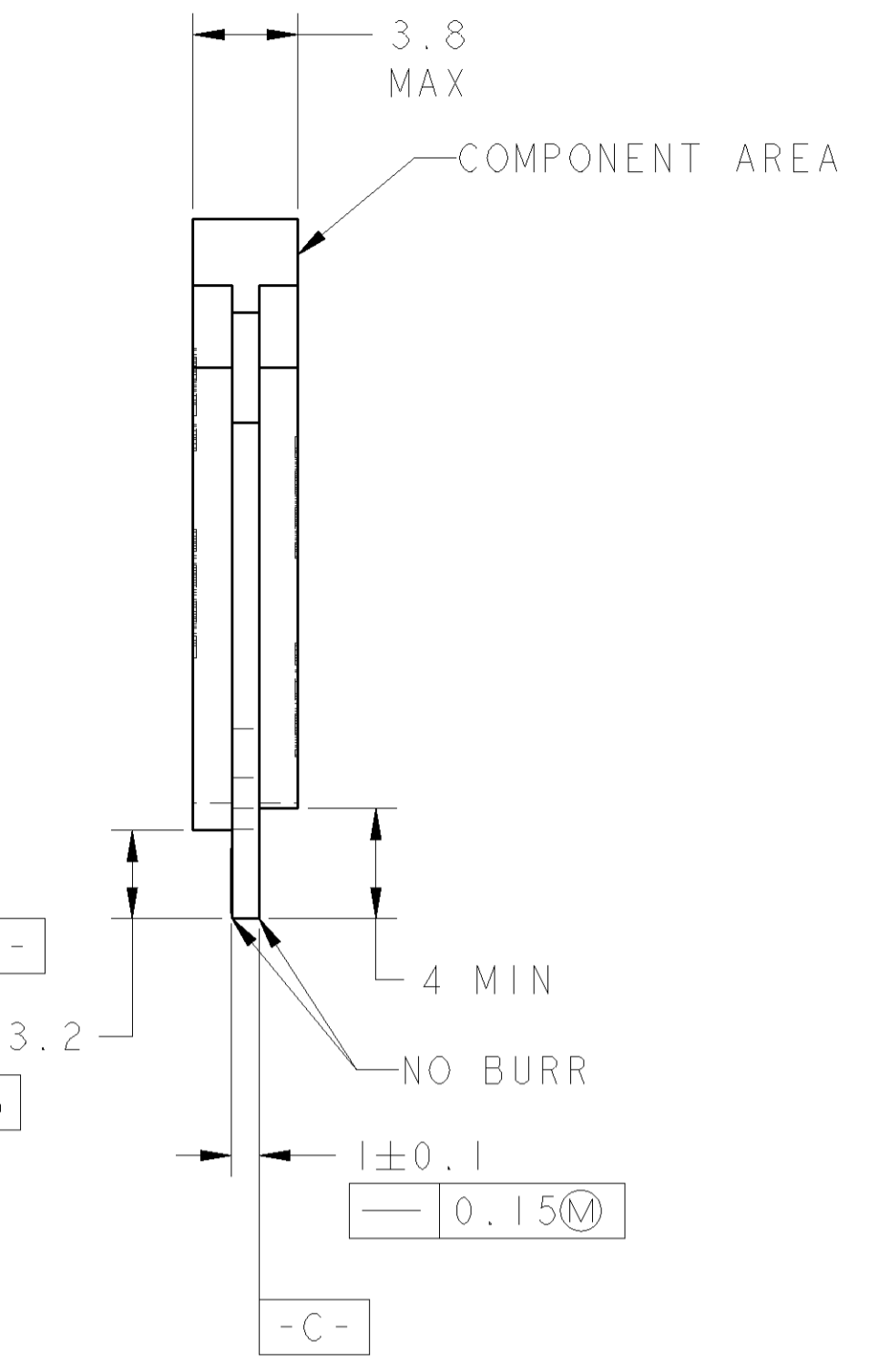
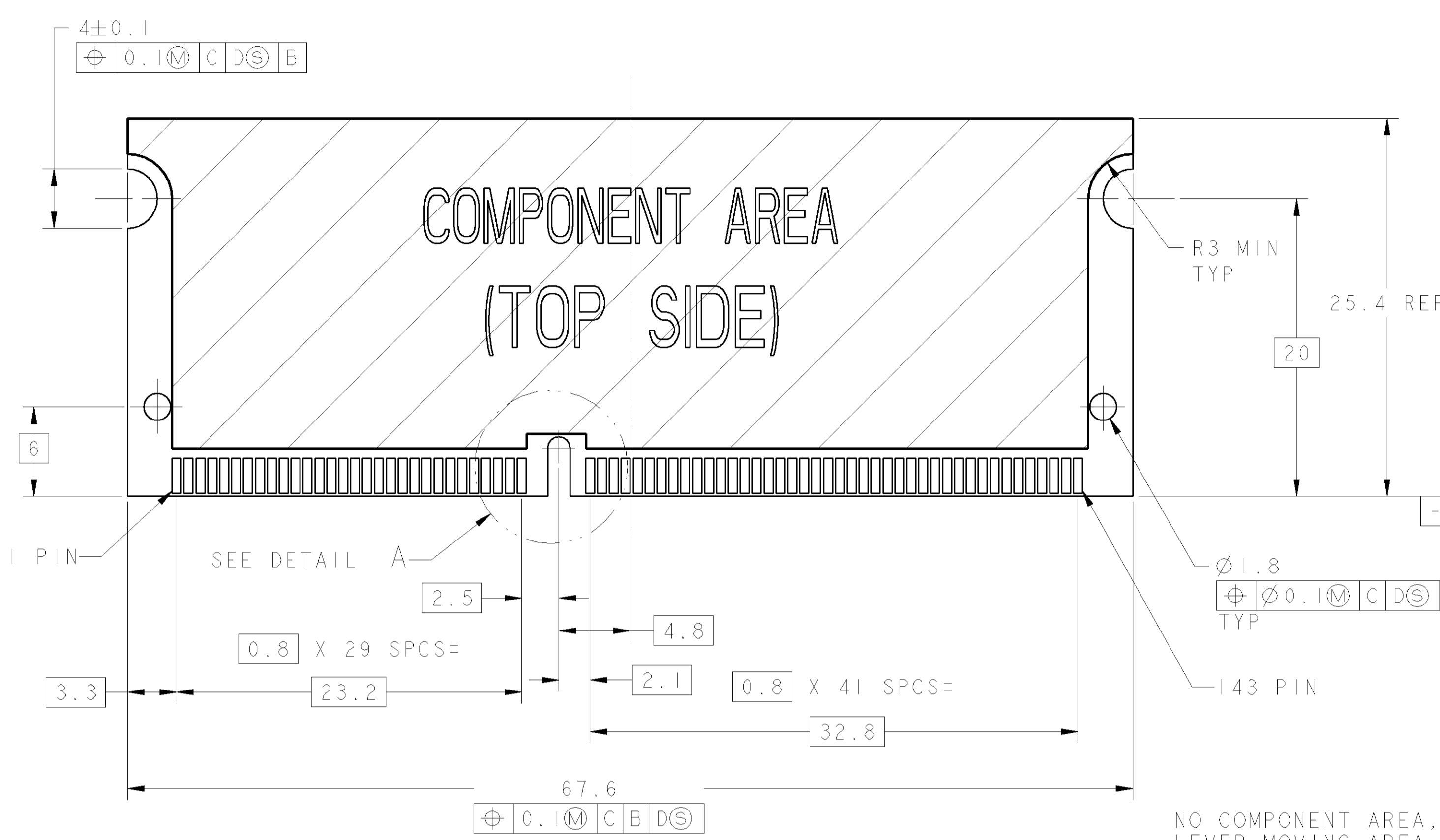
SECTION Y-Y
ROTATED 90° CCW
SCALE 8:1

- 1 MATERIAL, HIGH TEMPERATURE PLASTIC, UL94V-0
CONTACT: COPPER ALLOY
LATCH: STAINLESS STEEL, TIN PLATING.
- 2 FINISH; CONTACT AREA: 0.00025 MIN GOLD PLATE ON
0.001 MIN ALL OVER NICKEL
SOLDERING AREA: 0.00005 MIN TO 0.00030 MAX
GOLD PLATE
- 3. TOLERANCES NON-ACCUMULATIVE.
- 4 PACKAGED IN HARD TRAY.
- 5 FINISH; CONTACT AREA: 0.00025 MIN GOLD PLATE ON
0.001 MIN ALL OVER NICKEL
SOLDERING AREA: BRIGHT TIN LEAD PLATE.
- 6 PART PACKAGED PER EIA-1S704 STANDARD. REEL
DIAMETER SHALL BE 330mm, TAPE WIDTH SHALL BE
88mm, AND TAPE PITCH SHALL BE 36mm.
- 7 LATCH PLATING: TIN-LEAD FOR P/N: 8-390112-1 ONLY
(IDENTICAL TO PREVIOUS P/N: 390112-1)

SUPERSEDED BY	REMARKS	COLOR	FINISH	POS	PART NO.
NIL	AVAILABLE	NATURAL	△△	144	8-390112-1
NIL	AVAILABLE	BLACK	△	144	7-390112-1
NIL	AVAILABLE	NATURAL	△	144	6-390112-1
3-390112-1	NOT AVAILABLE	NATURAL	△	144	3-390112-4
NIL	AVAILABLE	NATURAL	△	144	3-390112-1
390112-1	NOT AVAILABLE	NATURAL	△	144	390112-4
NIL	AVAILABLE	NATURAL	△	144	390112-1

<small>THIS DRAWING IS A CONTROLLED DOCUMENT FOR AMP INCORPORATED. ALL INFORMATION CONTAINED HEREIN IS UNCLASSIFIED EXCEPT WHERE SHOWN OTHERWISE. FOR MORE INFORMATION CONTACT THE CONTROLLING OFFICE.</small>		DWN: W. SORAH CHK: ALAN ANG APD: SE LEONG	6-23-97 01-21-02	AMP MANUFACTURING (SINGAPORE) PTE., LTD.	
DIMENSIONS: mm	TOLERANCES UNLESS OTHERWISE SPECIFIED: 0 PLC ±0.2 1 PLC ±0.2 2 PLC ±0.2 3 PLC ±0.2 4 PLC ±0.2 ANGLES ±	NAME: S.O. PRODUCT SPEC: - APPLICATION SPEC: - FINISH: SEE TABLE	NAME: S.O. DIMM SOCKET ASSY, 0.8mm, 3.3V, 144 POSITION, HIGH PROFILE FOR SDRAM TYPE MODULE	SIZE: A1 CASE CODE: 00779 DRAWING NO: C=390112	RESTRICTED TO: - SCALE: 4:1 SHEET: 1 OF 2 REV: P

LOC	DIST	REV	DESCRIPTION	DATE	DNM	APRD
2						
1						
			SEE SHEET 1			



<small>THIS DRAWING IS A CONTROLLED DOCUMENT FOR AMP INCORPORATED. ALL RIGHTS RESERVED. ANY REVISIONS TO THIS DRAWING MUST BE APPROVED BY THE ORIGINAL DESIGNER. ANY UNAUTHORIZED REVISIONS WILL BE CONSIDERED AS UNRELIABLE.</small>		DWN: W. SORAH 6-23-97 CHK: ALAN ANG 1-21-02 APD: SE LEONG PRODUCT SPEC APPLICATION SPEC WEIGHT: - CUSTOMER DRAWING	AMP MANUFACTURING (SINGAPORE) PTE. LTD. NAME: S.O. DIMM SOCKET ASSY, 0.8mm, 3.3V, 144 POSITION, HIGH PROFILE FOR SDRAM TYPE MODULE SIZE: A1 CASE CODE: 00779 DRAWING NO: C-390112 SCALE: 4:1 SHEET: 2 OF 2 REV: P
---	--	--	--